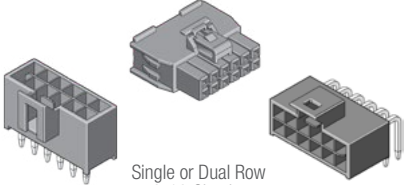
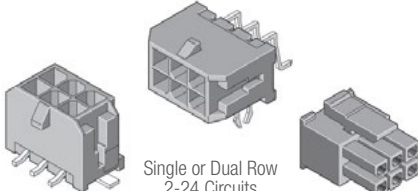
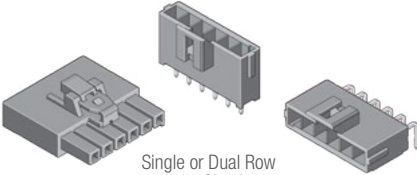
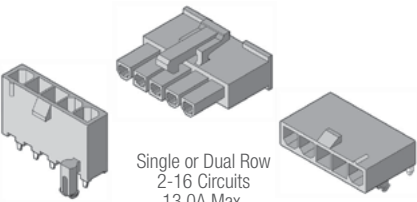
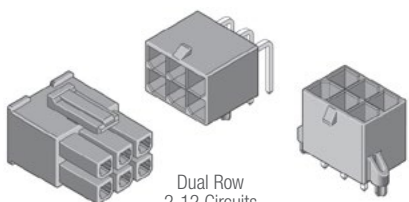
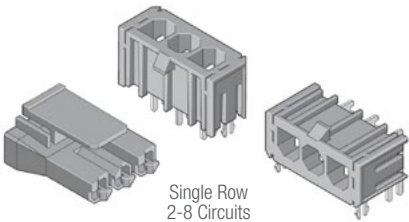


# Glow Wire Capable Product Solution Guide

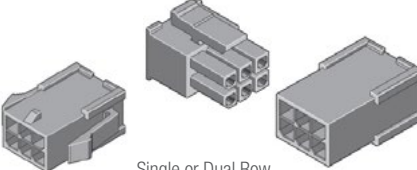
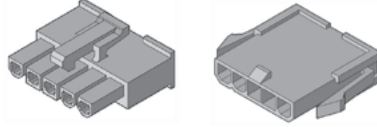
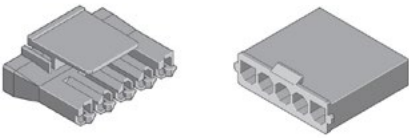
## 5.0 to 23.0A



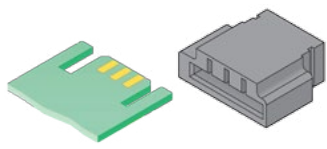
### Wire-to-Board

Nano-Fit™	Micro-Fit 3.0™	Ultra-Fit™
 <p>Single or Dual Row 2-16 Circuits 5.0A Max. 2.5mm Pitch</p>	 <p>Single or Dual Row 2-24 Circuits 7.0A Max. 3.0mm Pitch</p>	 <p>Single or Dual Row 2-16 Circuits 14.0A Max. 3.5mm Pitch</p>
Mini-Fit®	Mega-Fit®	Sabre™
 <p>Single or Dual Row 2-16 Circuits 13.0A Max. 4.2mm Pitch</p>	 <p>Dual Row 2-12 Circuits 23.0A Max. 5.7mm Pitch</p>	 <p>Single Row 2-8 Circuits 18.0A Max. 7.5mm Pitch</p>

### Wire-to-Wire

Micro-Fit 3.0™	Mini-Fit®	Sabre™
 <p>Single or Dual Row 2-24 Circuits 7.0A Max. 3.0mm Pitch</p>	 <p>Single or Dual Row 2-16 Circuits 13.0A Max. 4.2mm Pitch</p>	 <p>Single Row 2-8 Circuits 18.0A Max. 7.5mm Pitch</p>

### Wire-to-Edge Card

EdgeMate™
 <p>Single Row (Non-locking) 3-12 Circuits 7.0A Max. 3.96mm Pitch</p>

# Glow Wire Capable Product Solution Guide

## 5.0 to 23.0A



### Features

		Nano-Fit™	Micro-Fit® 3.0	Ultra-Fit™	Mini-Fit®	Mega-Fit®	Sabre™	EdgeMate™
PCB Processing	Wave Solder	x	x	x	x	x	x	
	Reflow 260°C Max.	x	x	x	x	x	x	
	Press-fit		x		x			
Options	Positive Locking	x	x	x	x	x	x	
	Low-Halogen	x	x	x	x		x	
	Terminal Position Assurance (TPA)	x		x	x			
Headers, Receptacle, Plugs	Plug		x		x		x	
	Free Hanging Plug		x		x			
	Receptacle	x	x	x	x	x	x	x
	Vertical Header	x	x	x	x	x	x	
	Right Angle Header	x	x	x	x	x	x	
Plating	Tin	x	x	x	x	x	x	x
	Gold	x	x	x	x	x		x

Some attributes may not be available in all configurations of a specific product family.

[www.molex.com/link/glowwire.html](http://www.molex.com/link/glowwire.html)  
[www.molex.com/link/power.html](http://www.molex.com/link/power.html)